



NTSC U/C

PlayStation®



SLUS-00925
4112729

Sports Games.
FOX Attitude.



NHL CHAMPIONSHIP 2000™



WATCH FOX SPORTS

WARNING: Read before using your PlayStation® Game Console.

A very small percentage of individuals may experience epileptic seizures when exposed to certain light patterns or flashing lights. Exposure to certain patterns or backgrounds on a television screen or while playing video games, including games played on the PlayStation® game console, may induce an epileptic seizure in these individuals. Certain conditions may induce previously undetected epileptic symptoms even in persons who have no history of prior seizures or epilepsy. If you, or anyone in your family, has an epileptic condition, consult your physician prior to playing. If you experience any of the following symptoms while playing a video game – dizziness, altered vision, eye or muscle twitches, loss of awareness, disorientation, any involuntary movement, or convulsions – IMMEDIATELY discontinue use and consult your physician before resuming play.

WARNING TO OWNERS OF PROJECTION TELEVISIONS:

Do not connect your PlayStation® game console to a projection TV without first consulting the user manual for your projection TV, unless it is of the LCD type. Otherwise, it may permanently damage your TV screen.

HANDLING YOUR PLAYSTATION® DISC:

- This compact disc is intended for use only with the PlayStation® game console.
- Do not bend it, crush it or submerge it in liquids.
- Do not leave it in direct sunlight or near a radiator or other source of heat.
- Be sure to take an occasional rest break during extended play.
- Keep this compact disc clean. Always hold the disc by the edges and keep it in its protective case when not in use. Clean the disc with a lint-free, soft, dry cloth, wiping in straight lines from center to outer edge. Never use solvents or abrasive cleaners.

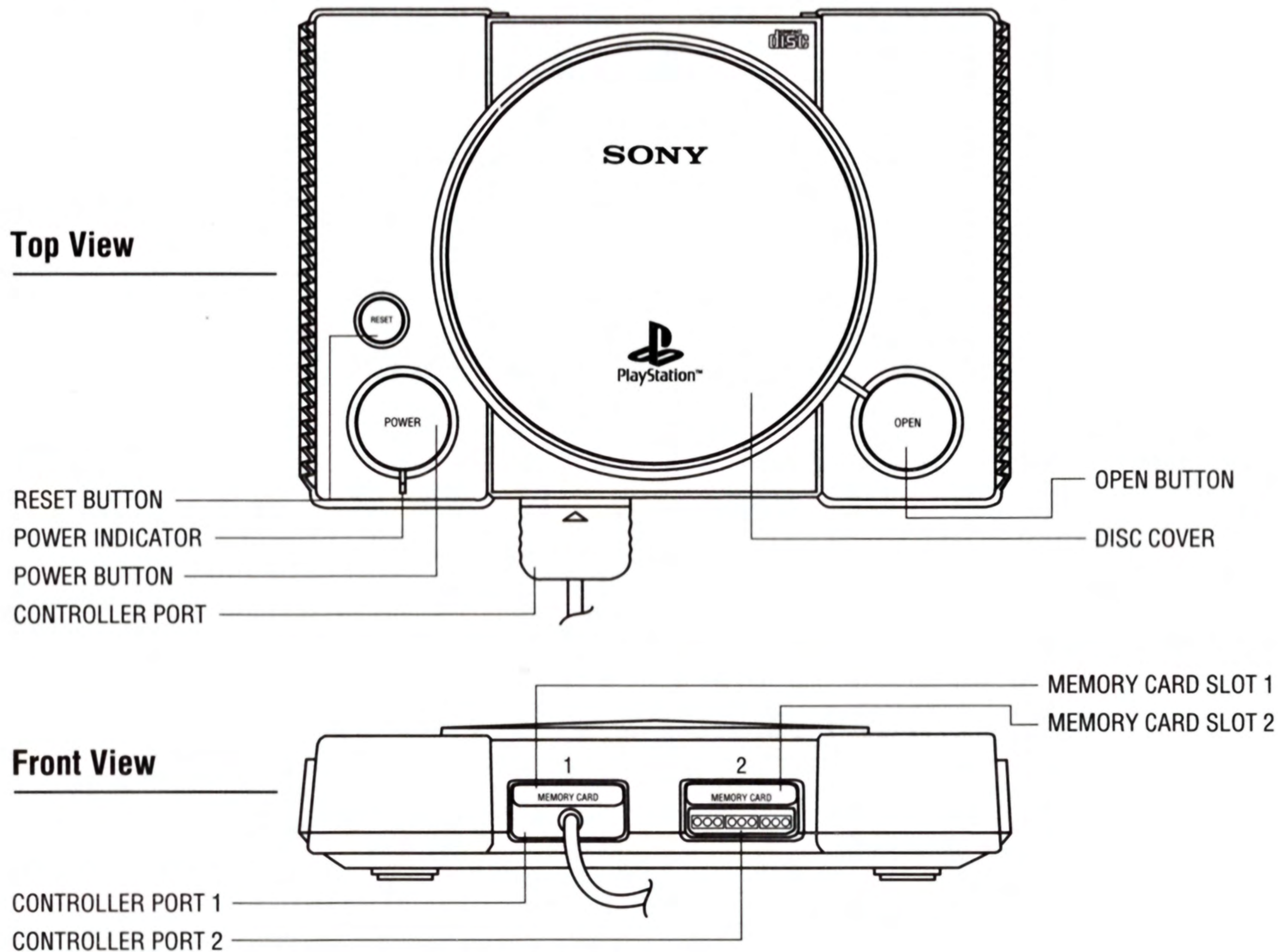
CONTENTS

SETUP	2
CONTROLS	3
CONTROLES EN ESPAÑOL	5
QUICK! PLAY A GAME!	7
PLAY HOCKEY	8
PAUSE/OPTIONS MENU	9
MAIN MENU	10
HEAD-TO-HEAD CENTRAL/SEASON/PLAYOFF/TOURNAMENT	16
MANAGING ROSTERS	18
RULES & TERMS	20
GAME TIPS	21
STATISTICAL ABBREVIATIONS	22
CREDITS	23

SETUP

PLAYSTATION® GAME CONSOLE

1. Set up your PlayStation® game console according to the instructions in its Instruction Manual.
2. Make sure the power is off before inserting or removing a Compact Disc.
3. Insert the **NHL Championship™ 2000** Compact Disc and close the Disc Cover.
4. Insert game controllers and turn on the PlayStation® game console.
5. Follow on-screen instructions to start the game.



CONTROLS

MENUS

Look to the bottom of the screen for button functions; these functions will change depending on the chosen menu.

OFFENSE (with the puck)

ACTION

Skate - Pass/Shot Direction

Pass

Slap Shot

Wrist Shot

Fast Skate

Flip Pass

Drop Pass

BUTTON

D-Button

×

●

■

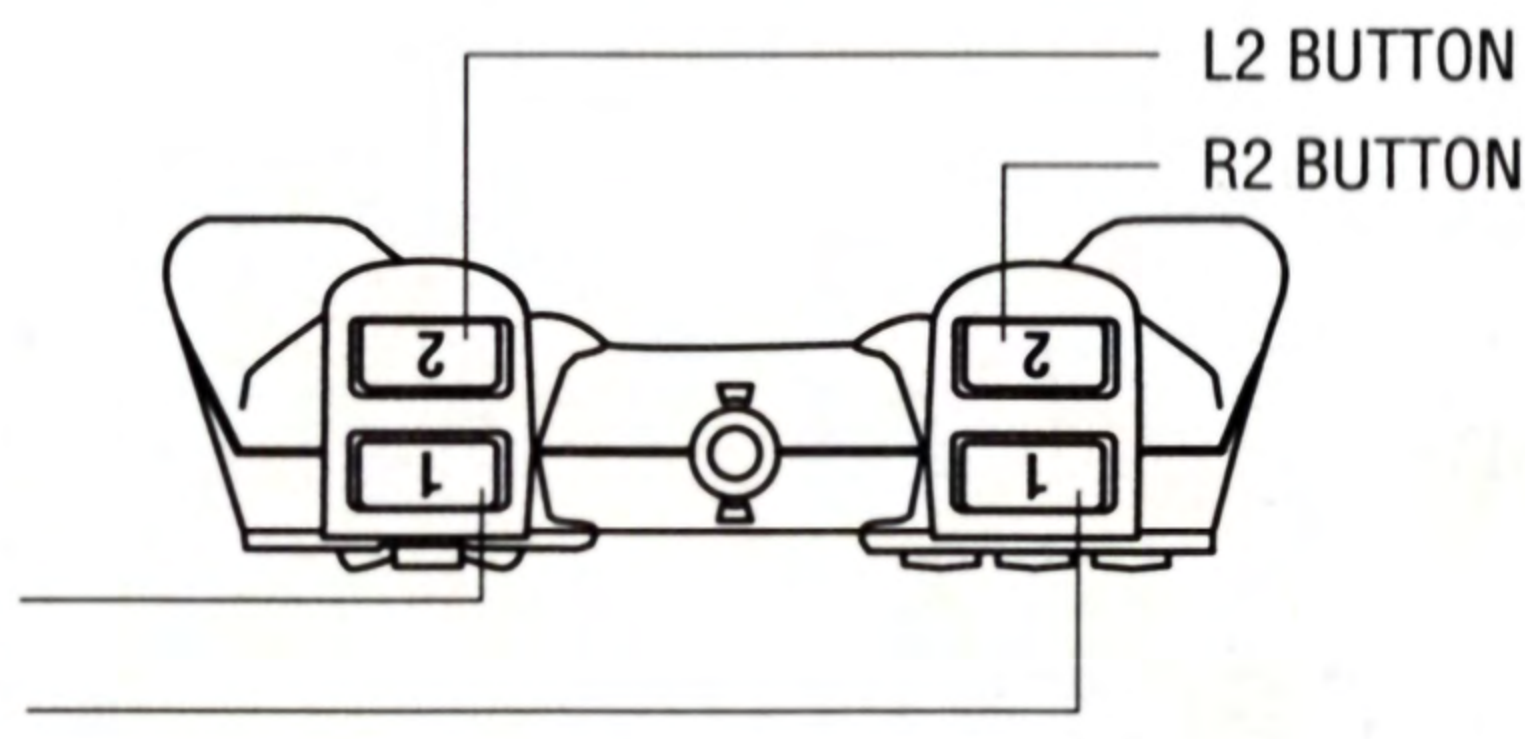
▲

L2

R2

L1 BUTTON

R1 BUTTON



DEFENSE (without the puck)

ACTION

Skate

Select Player/Faceoff

Poke Check

Hook/Block Shot

Body Check/Fast Skate

Skate Backwards

BUTTON

D-Button

×

●

■

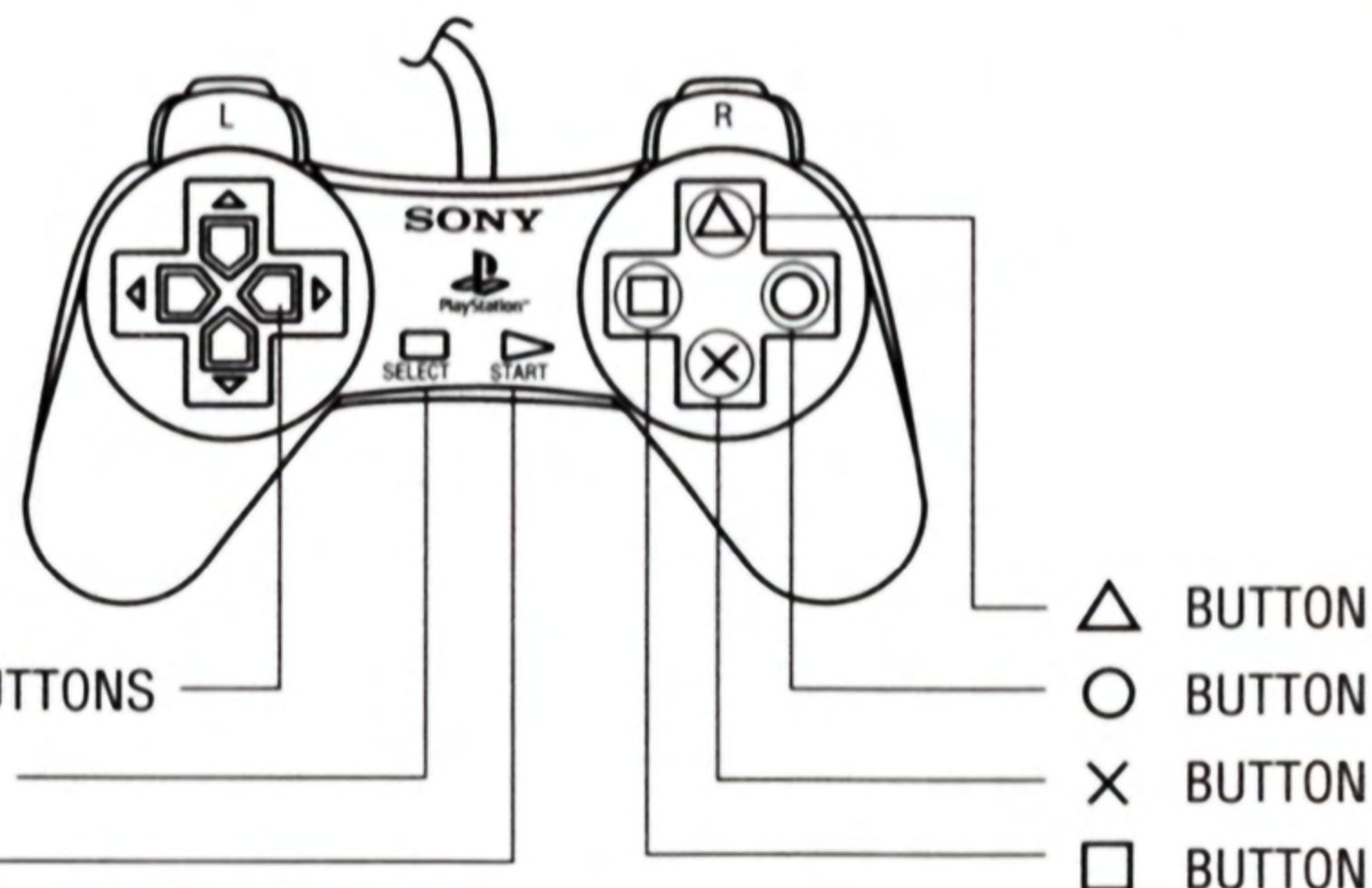
▲

L2

DIRECTIONAL BUTTONS

SELECT BUTTON

START BUTTON



GOALIE

ACTION

Skate

Pass

Smother Puck

Select Goalie

BUTTON

D-Pad



R2

FIGHTING

ACTION

Duck

Rabbit Punch

Uppercut

Grab

BUTTON

D-Pad down



STRATEGY

ACTION

Coach

Line Change

Pause Menu

BUTTON

L1

R1

START

Note: Use **Configure Controller** (see page 14) within Game Settings to change the default controls. (Fighting controls cannot be changed)

CONTROLES EN ESPAÑOL

MENÚS

Mire debajo de la pantalla para funciones de botones. Estas funciones cambiarán dependiendo del menú elegido.

OFENSIVA (con puck) ACCIÓN

Patinar - Pase/Dirección de Tiro
Pase
Tiro de Palmada
Tiro de Muñeca
Velocidad
Estrategia Ofensiva
Pase Aéreo
Cambio de Líneas
Pase Dejado

BOTÓN

Botón Direccional

×

●

■

▲

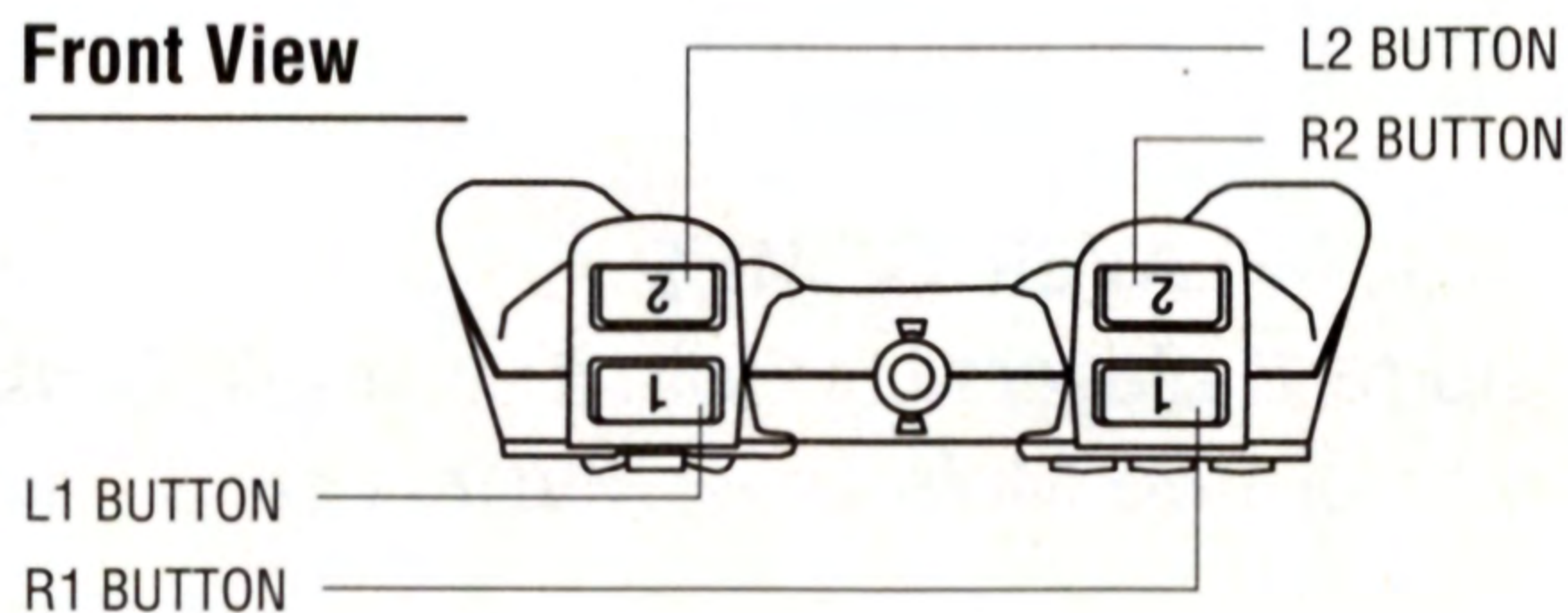
L1

L2

R1

R2

Front View



DEFENSA (sín puck)

Patinar
Seleccionar a Otro Jugador
Golpe de Palo
Bloquear/Enganchar al Jugador
Velocidad/Choque del Cuerpo
Estrategia Defensiva
Patinar para Atrás
Cambio de Líneas
Controlar el Portero

Botón Direccional

×

●

■

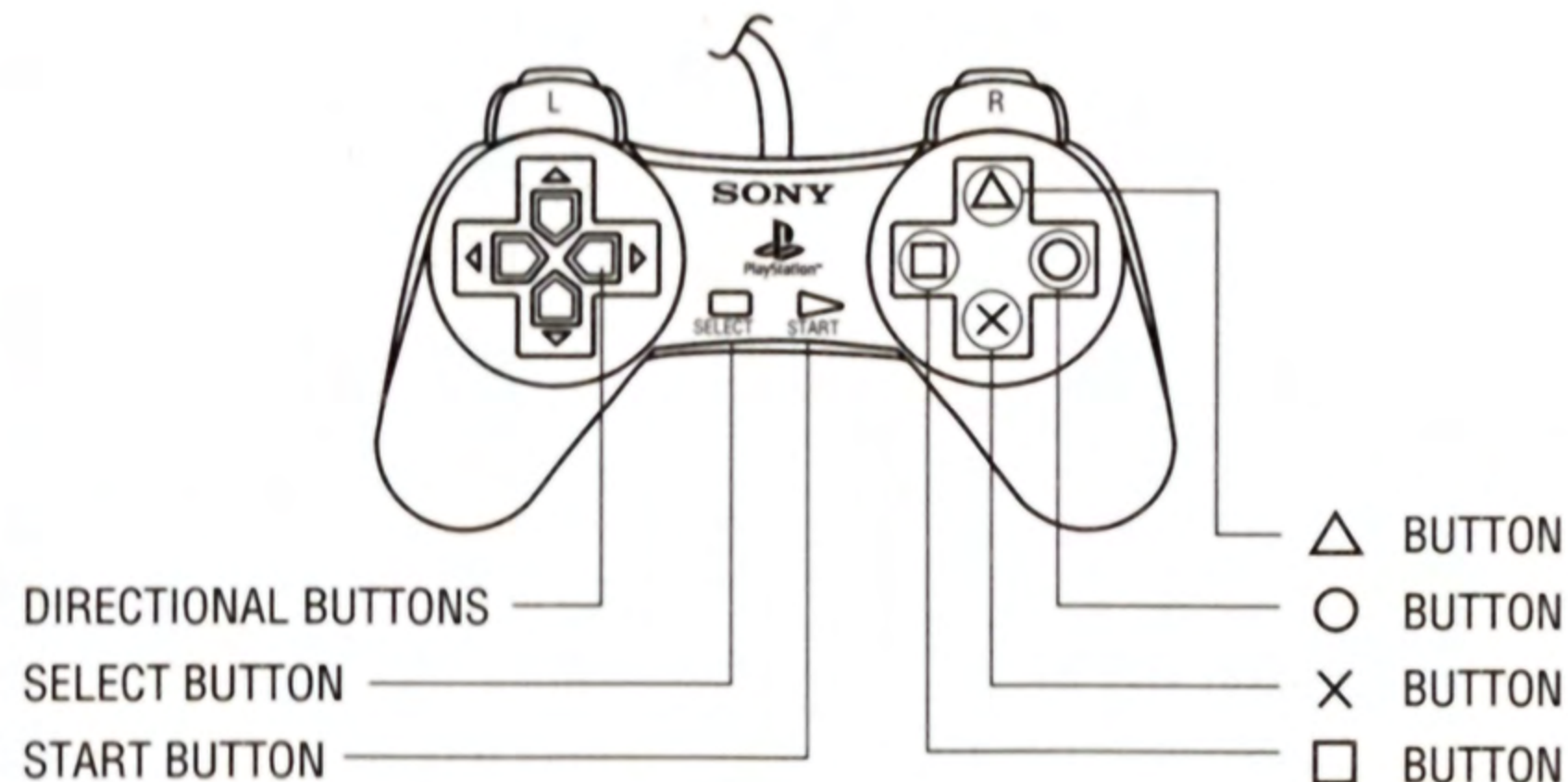
▲

L1

L2

R1

R2



MEMORY CARD

You can save any game, at its current level of progress (except Exhibition) onto a MEMORY CARD (sold separately), and resume play on previously saved games. Insert a MEMORY CARD into slot 1 of the PlayStation® game console before starting play.

If a MEMORY CARD is full, you won't be able to save games to it. Delete unwanted data or reformat the card before starting play.

Important: Do not remove a MEMORY CARD while saving or loading games; doing so could damage the game data.

MULTIPLAYER GAMES

Up to 8 players can join in a single **NHL Championship™ 2000** game, using one or two Multi-Taps. Players can:

- Compete head-to-head (2 player games)
- Play on the same team against the CPU, with up to five players, each controlling a different hockey player.
- Play on rival teams, with all players controlling different hockey players

Note: When a Multi-Tap is plugged into port 1, a controller must be plugged into port 1-A for any controllers to function.

QUICK! PLAY A GAME!

1. On the Main Menu, press the **Start** button to begin an Exhibition game between the two teams displayed. See **Main Menu** (page 10) for more options.
2. On the **Choose Sides** screen, press the **Directional Buttons** (◀▶) to move your controller icon, selecting the team you want to play (the away team's on the left, the home team on the right). If you want to enter a user name, press **X**, and use the **Directional Buttons** (◀▶▼▲) to enter your three character name. Once you enter a name, your stats will be tracked. Press the **Start** button to advance to the **Choose Uniform** screen for a look at what you'll be wearing on the ice.

Note: In multiplayer games, the other players select their team and control mode in the same way.

3. On the **Choose Uniform** screen, use the **Directional buttons** (◀▶▼▲) to move the team highlight and change the uniforms for either team. When you're ready, press the **Start** button to get to the action on the ice! While the game is loading you'll see each team's starting lineup. In a few seconds, tonight's broadcast of **NHL Championship™ 2000** begins.

PLAY HOCKEY

FACEOFF

Watch the referee skate up to the players for the faceoff. Just as he drops the puck, press the **X** button to try and win control of the draw. The **Directional Button** that you press determines where you send the puck if you win the faceoff.

LINE CHANGES

NHL Championship™ 2000 defaults to Line Changes = Off. For more information on changing lines, see **Line Changes** (page 11), and all Game Settings options.

COACHING

Coaching defaults to Auto, which means that all strategy decisions are handled by the computer. See **Managing Rosters - Coach Team** (page 19) for more details, or **Pause/Options Menu - Coach** (page 9) for the in-game coaching interface.

GOALIE

Select Goalie: Tap the **R2** button to take control of the goalie (this is available if Goalie is set to Manual.). Once you get control of the puck with the goalie, you can:

- **Pass** by pressing the **X** button.
- **Smother** the puck by pressing the **■** button. (This stops play and forces a face-off in your end).

PAUSE/OPTIONS MENU

Press the **Start** button to open the Pause/Options menu anytime during a game. The player who pauses the game has control over the features.

Note: **START** acts as Accept in all sections of the Pause Menu and takes the user directly back to the Main section of the Pause Menu. This is a shortcut for advanced users that bypasses any sub-menus, taking you immediately to the Main Menu of the Pause overlay, and back to the action.

INSTANT REPLAY (Manual)

Watch a replay of the action that just took place

STATISTICS

View current game stats. See **Statistical Abbreviations** (page 22) for details on the short forms.

EDIT LINES

Change the players on your lines if they are injured, tired or just underachieving.

GOALIE

To change goalies, or to pull your goalie, move the highlight using the **Directional Buttons** (◀▶). **Pull Goalie** immediately sends your goalie to the bench for an extra attacker, while a change of goalies takes place at the next play stoppage.

COACH

This allows you to customize the settings for each of the coaching strategies used throughout the game.

CAMERA

You have 6 gameplay cameras to choose from, each with adjustable zoom.

RULES & OPTIONS

Adjust settings to the **Rules**, **Display**, **Sound** or **Controllers**.

CHOOSE SIDES

Change sides or let the computer play by moving the **Directional Buttons** (◀▶) then pressing the **Start** button to accept changes and return to the Pause/Options Menu.

EXIT GAME

Abort the game, erasing any accumulated stats, and return to the Main Menu.

MAIN MENU

The Main Menu offers a number of options to enrich your **NHL Championship™ 2000** experience.

CHOOSE TEAMS

Select from all 28 NHL teams (including the expansion Atlanta Thrashers™), 2 NHL All Star teams, and 16 International teams.

Tip: Rivalries up the ante from an ordinary game. You can expect more intensity, bigger hits, and shorter tempers.

GAME TYPE

Choose from **Season/Playoff/Tournament/Head-to-Head Central** (see page 16), go straight to the Playoffs (see page 17), join a **World Tournament** (see page 17), or take on a friend in a **Head-to-Head** series (see page 18).

GAME SETTINGS

Adjust Rules, Display settings, Sound volumes, or Controller setup.

Rules

Mode of Play

Arcade, Sim, or Custom

Difficulty Level

Rookie, Pro, or All Star

Notes on difficulty levels;

- Rookie level slows down the pace of the game, allowing more time to pass the puck and set up a play. Goalies move slower and won't always come up with the big save.
- Pro is the default setting and is a good compromise between both levels, offering fast game play, hard hits and goalies who know how to stop the puck.
- All Star is for those who want it all – the fastest game play, ruthless computer opponents, crunching body checks and goalies who laugh in the face of a 100-mph slap shot.

Line Changes = Auto

The computer coach monitors your players' fatigue levels and changes your lines automatically.

Line Changes = Manual

Line management is in your hands. You need to check the fatigue level of your lines, and change them up before your opponent gains an advantage. Tap **R1** to bring up the line change interface (arrows indicate the players currently on the ice).

Tip: You can change lines on the fly, but be careful not to get caught with everyone going to the bench while the opposing team is skating across your blue line!

Caution: If you go to the pause menu while you are in the process of changing lines, you will not be able to switch sides until the line change is completed.

Coach = Auto

When coaching is set to Auto, the computer adjusts your team's strategies on the fly, depending on the game situation.

Coach = Manual

Tap L1 to bring up the Coach interface which displays an arrow pointing to the current strategy.

Goalie

If you choose Auto or Manual, the computer makes the saves for you and allows you to smother the puck. However, Manual gives you the additional option to roam out of the crease to play the puck.

See **Rules & Terms** (page 20) for explanations of the finer details

Display

Auto Replay: On or off

Passing Arrows

They help you find your teammates on the ice.

Passing target

It indicates who is going to receive the current pass.

Shot Radar

How fast did you say that puck was traveling?

FOX Trax

Classic FOX visual effects: Blue for a pass; red for a shot.

Player Identifier

How the players are identified on the ice

Puck Highlight

On or off

Camera

Select the default camera when playing the game.

Sound

Adjustable scales for volume of all sounds in game.

Configure Controller

Use the **Directional Buttons** (◀▶) to cycle through each controller and the four different presets, or create a custom configuration by using the **Directional Buttons** (◀▶) to select Custom.

ROSTERS

Access the following roster management options:

- View rosters and player profiles.
- Edit or create lines
- Trade, sign or release players
- Create, edit or delete players

(See **Managing Rosters** (page 18) for additional information).

STATISTICS

View team, player, and user stats for all game types (the statistical categories change depending on what Game Type you're currently playing).

See **Statistical Abbreviations** (page 22) for details on stat categories.

Player Statistics

The numbers never lie. Use the **Directional Buttons** (◀▶) to scroll through teams, players and statistical categories. Use the ■ button to sort any stat category, or hit the ● button to switch between skaters and goalies.

Team Statistics

Who's leading in terms of Power play percentage? Goals for? Goals against?

Use the **Directional Buttons** (◀▶) to scroll through teams and stat categories.

User Statistics

Sure, your team's piling up the W's. But how do you stack up compared to your friends on controllers 2-8?

Note: Don't forget to save recently accumulated user records before you power down, or you'll have to convince your friends of that 5-goal game that got away!

Note on User assists: Assists are only awarded to a user when they assist on another users goal. (2 or more users must be playing on the same team in order for this to occur)

League leaders

This is where you find the best of the best. Use the **Directional Buttons** (◀▶) to scroll through statistical categories and teams or players.

MEMORY CARD

It's all in the cards. With a Memory Card installed you can save or load game data, rosters, and user records: or load previously saved data. You must have a Memory Card inserted in slot 1 in your PlayStation® game console in order to save or load game data.

Important Memory Card Details

Save Game includes the game type and rosters. Rosters can only be saved separately when in the main menu. When in any other game type (season, play-off, world tournament or head-2-head series), rosters are included within the saved game. A saved Settings file includes all information set within the Game Settings area and also includes the camera type and zoom level selected within the Pause Menu of the game.

The following information is tracked for Saved Season, Playoff, World Tourney and Head-to-Head modes:

- SKATER STATS
- GOALIE STATS
- ROSTERS
- LINEUPS
- SCHEDULES
- CREATED PLAYERS

The following items are saved in an Exhibition roster:

- ROSTERS
- LINEUPS
- CREATED PLAYERS

Note: ("season" refers to any of the season types - season, playoff, tournament)

- Exhibition rosters are saved independently of seasons.
- Season rosters are saved as a part of a saved season.
- Exhibition rosters cannot be loaded into a season once it has BEGUN. However, they can be loaded prior to starting a Season by loading them in Exhibition and then starting a new season.
- If changes are made to the Exhibition roster before a season is created, the roster is imported to the season.
- It is possible to save multiple seasons and multiple rosters.
- Saved season rosters cannot be used in Exhibition games or other seasons.

HEAD-TO-HEAD CENTRAL SEASON/PLAYOFF/TOURNAMENT

NHL — FOX/Match-ups

Giving you the lowdown on today's games.

CALENDAR

Check out the entire schedule for all teams.

SEASON STANDINGS

Tip: The top eight teams in each conference make the playoffs; first place in each division guarantees a spot in the top three of your respective conference.

PLAYOFF/TOURNAMENT TREE

Both the Playoff and World Tournament trees give you a look at how each round has progressed. Use the **Directional Buttons** (◀▶) to browse through the brackets.

ROSTERS

This is where you handle your off-ice transactions, such as editing your lines, creating, editing and deleting players, trading players, signing and releasing free agents, and, viewing rosters and player profiles. See **Managing Rosters** (page 18) for additional information.

GAME SETTINGS

See **Main Menu - Game Settings** (page 11) for details on Game Settings.

MEMORY CARD

See **Main Menu - Memory Card** (page 15) for details on Memory Card use.

MAIN MENU

Abandon the current season (make sure it's saved unless you want to lose information) and head back to Main Menu to start from scratch.

MANAGING ROSTERS

Do you need to pull a few strings behind the scenes before you take the ice? This is where you can demonstrate your managerial genius with a wide range of personnel options.

PLAYER TRANSACTIONS

Select ROSTERS, PLAYER TRANSACTIONS and TRADE PLAYERS.

Note: Each team needs to maintain a minimum of two goalies and eighteen skaters, and can handle a maximum of thirty players on the roster at a time.

Sign players

1. Select ROSTERS, PLAYER TRANSACTIONS and SIGN PLAYERS.
2. You can sign up to three free agents at a time, but to one team at a time.

Release players

1. Select ROSTERS, PLAYER TRANSACTIONS and RELEASE PLAYERS.
2. You can release up to three players at a time to the Free Agent pool, but only from one team at a time.

Delete players

You can only delete a player that you have created.

1. Select ROSTERS, PLAYER TRANSACTIONS and DELETE PLAYERS.
2. Press the ● button to delete the highlighted player.

CREATE PLAYERS

If your team needs a quality player, why not create him? You control position, physical attributes and hockey skills. Create the new prospect to take your team over the top, or create the greatest player in hockey history. The sky's the limit! (See **Player Transactions - Sign Players** (page 20) for details on signing your created player to a team. Read on for details on Editing lines).

EDIT PLAYERS

You can edit any permanent NHLPA™ or created player, however you may only edit the jersey number for an NHLPA™ player.

EDIT LINES

Alter the lines for all teams.

COACH TEAM

Change the plays for each coaching strategy implemented during a game: Attack, Maintain and Defend.

VIEW ROSTERS

Take a look at player attributes and personal information for any team, or access specific player profiles.

PLAYER PROFILES

Would you like an in-depth look at a player's abilities? Need to know if he's big enough, too old, or too inexperienced? This is the place to get the low-down on every one of the 650+ players in the game.

RULES & TERMS

Red Line

The red line at center ice that divides the playing surface into two halves.

Blue Line

The blue lines on either side of the red line that mark the start of offensive or defensive zones.

Goal Line

The red line at the ends of the rink that extend past the goal posts all the way to the boards.

Faceoff

To begin play, the referee drops the puck between the two centers, who try to draw it back to a teammate.

Overtime

If an Exhibition or regular season game ends in a tie, you play a five minute sudden death overtime; first goal wins. If no one scores, then the game is a tie. However, in a Playoff, Head-to-Head or World Tournament game, you play multiple sudden death overtime periods. The length of each overtime matches the length of a regulation period in the current game.

Period Length

You can select 5, 10 or 20 minutes (actual NHL™ format) for each of the three periods in the game.

Penalties

All infractions except fighting are 2 minutes in length. Your team remains shorthanded until the penalty is over, or your opponent scores.

Offsides

If a player on offense crosses the opposing team's blue line before the puck, he is offsides, and a faceoff will occur outside the blue line.

Two Line Passes

A pass from the defensive side of the blue line that is received by a player across the red line is a two line pass and will result in a faceoff in the defensive zone.

Icing

If a puck is shot across the goal line from the defensive side of the red line, icing is called and a faceoff occurs in the defensive zone.

GAME TIPS

- When shooting from the blue line, tap the slap shot button twice to attempt a deflection.
- To do a one-timer, tap the slap shot button immediately after releasing a pass.
- The easiest way to score is with the one-timer.
- Use the passing arrows to choose a direction to pass the puck.
- Use the passing icon to see which teammate will receive your pass.
- If you are having trouble scoring, take lots of shots and look for rebounds.
- Holding down the slap shot button increases the power of your shot.
- Tap the wrist shot button twice to dump the puck into the offensive zone.
- To increase game play speed, turn up the difficulty level.
If the referee is too tough, you can calm him down in the Pause menu.
- Use the hook check button to slow down your opponent without taking a penalty.
- Don't like the view? Six different cameras are available in the Pause menu.
- If you are trailing by one goal late in the game, pull your goalie for an extra skater.
- While killing penalties, you can shoot the puck down the ice without drawing an icing call.
- Press the **X** button during a play stoppage to jump to the next faceoff.

STATISTICAL ABBREVIATIONS

+/-	Plus/minus rating	FTD	Fights drawn
MIN	Minutes played	PSG	Penalty shot goals
A	Assists	FTL	Fights lost
OT%	One timer percentage	PTS	Points
ADV	Man advantages	FTW	Fights won
OTA	One timers attempted	S	Shots
AWAY	Away record	G	Goals
OTG	One timer goals	S%	Shooting percentage
BA	Breakaways	GA	Goals against
OTR	Overtime record	SA	Shots against
BAG	Breakaway goals	GA	Goals allowed
PCT	Winning percentage	SCW	Stanley Cups won
CCW	Conference Championships won	GAA	Goals against average
PH	Goalposts hit	SHG	Shorthanded goals
CHKG	Bodychecks given	GF	Goals for
PIM	Penalties in minutes	SHGA	Shorthanded goals against
CHKT	Bodychecks taken	GP	Games played
PK%	Penalty killing %	SHGF	Shorthanded goals for
CONF	Conference record	GSUP	Goaltender support
PK%	Penalty killing percentage	SO	Shutouts
DCW	Division Championships won	GTG	Game-tying goals
Pos	Position	STR	Current streak
EN	Empty net goals	GWG	Game-winning goals
PP%	Power play percentage	SV	Saves
FM	Fighting majors	H2HL	Head-to-Head series lost
PPG	Power play goals	SV%	Save percentage
FO%	Faceoff percentage	H2HW	Head-to-Head series won
PPG	Power play goals for	TSH	Times shorthanded
FOT	Faceoffs taken	HOME	Home record
PPGA	Power play goals against	WñLñT	Record (won, loss, tie)
FOW	Faceoffs won	L10	Record in last 10 games
PS	Penalty shots	WTW	World Tournaments won

CREDITS

Fox Sports Interactive

Curtis Cherrington - Producer
A. Marsh Garniner - Concept Development
Victor Rodriguez - Senior Associate Producer
Tim Hall - Lead Tester
Tim Ramage - Tester
Tim Tran - Tester
Aaron Blean - Tester
Peter Cesario - Tester
Jon Cesario - Tester
Ken Anderson - Tester
Red Magpantay - Tester
Kristian Davila - Tester
Sweet Billy - Tester
Eric Asevo - Tester

Radical Entertainment

Production and Design

Carey Du Gray - Game Designer
Kim McLeod - Project Manager
Joe Nickolls - Producer
Jeff Plumley - Game Designer
Justin Sheffield - Game Designer
Cam Weber - Game Designer

Programmers

Josh Blommestein - Programmer
Dave Catlin - Programmer
Darwin Chau - Programmer
Richard Hawkes - Programmer
Stan Jang - Programmer
Gary Keong - Programmer
Peter Mielcarski - Programmer
Jared Noffle - Programmer
Eric Randall - Technical Director
Mike Slett - Programmer
Eric Turmel - Programmer
Jonathan Yim - Programmer
Carlo Yu - Programmer

Artists

Heather Akins - Front End Graphic Artist
Chris Byron - Front End Graphic Artist/Animator
Scott Douglas - Character Models/3D Artist
Julian Green - Lead Animator
Jeff Kuipers - SFX Artist
Stephen McCallum - Art Director
Fernando Medrano - Technical Artist
Jonn Mohr - Animator/Artist
Todd Polich - Modeller/Animator/Artist
Brian Roche - 2D Artist
Nickie Senger - Front End Graphic Artist
Ryan Senger - 2D Artist
Liezal Sinclair - Front End Art Director
Ken Steel - Animation Director
Beau Sutton - Modeller/3D Artist
Darren Tarnoff - Animator
Stephen van der Mescht - Front End Graphic Artist

Sound

Marc Baril - Additional Rink Music
Graemme Brown - CC Sound Design/Announcer

Editing

Dimitrios Fassoulis - Additional Sound Prog.
Eric Honsch - Lead Sound Programmer
Chris James - Foley Recording
Glenn Jamison - Front End/Fight Sound Design
Graig Robertson - Sound Director/Rink Music
Steve Royea - Color Comm./Play by Play Editing

Pure 3D Graphics Team

Katrina Archer • Tim Bennison
Nigel Brooke • Jesse Cluff
Kevin Coughlan • Martin Courchesne
Ravjit Dhiraj • Mark James
Gabriel Jones • Greg Mayer
Geoff Sowrey • Neall Verheyde
Torre Zuk

Quality Assurance

Jason Armstrong - Team QA
Mark Bayrock - QA Team Coordinator
Atul Gupta - Team QA

Barry McCallum - Team QA
Lee McKinnon-Pederson - QA Director
Kent Wilson - Team QA
Mike Wong - QA Lead
Andrew Barker - Team QA
Jason Bone - Team QA
Chris Dellinger - Team QA
Patrick Donaghy - Team QA
Jeremy Isaak - Team QA
Steve Mitchell - Team QA
David Orne - Team QA
Ryan Ridout - Team QA
Andrew Scott - Team QA
Jon Vandermeer - Team QA
Dale West - Team QA

Other

Alan Blouin • Colin Cameron • Sean Charles
Felix Cheung • Daniel Chitan • Ferdinand Espedido
Stacey Farrell • Bruce Gil • Brian Green • Mark
Hensley • William Ho • Peter Hoang • Vince Joly
Kurt Kennett • Chris Lippmann • Kevin Loken
Roger Milne • Wilkin Ng • Steve Oldridge
Dave Roberts • Chris Robertson • Andrea Schiel
Jay Scott • Jeff Solway • Emmanuel 'E Man'
Soupidis • Rick Stringfellow • Sean Thompson
Calvin Wang • Arthur We

Special Thanks

Kenny Albert • John Davidson • Erika Foster
Glenn Horine • Catherine Mary O'Brien
David Kleiman • Nick Pedota
Bob O'Mara & Fox Sports News
John Ashbridge • House Of Moves
Christian Lalonde • Chris Glenat • Cliff Haman
Eric Legaspi • Spencer Craske
Juneko Kurahashi • Andy, Pedro, Frank and Will at
Image Group Post NY,NY. • YOPO Fine Cuisine

Manual Production

Mark Cohen - Editor
Bird Studios - Layout

WE WANT TO YOU HEAR FROM YOU!

Tell us what you think about our products.

Logon to foxsports.com, go to the VIDEO GAME section, and hit the FEEDBACK button to tell us what you think about our games or send an e-mail to foxsportsguy@fox.com. What kind of features do you want to see in sports games? What kind of sports games should we be making? What do you like or dislike about sports games? FOX Sports Interactive wants to hear from you.

Technical Support:

Please call us at **1-410-568-3630** M-F 8:00 am to Midnight EST, SA-SU 8:00 am to 8:00 pm.

Special thanks to the following NHL arenas. The names and logos of all stadiums are trademarks of their respective owners and are used by permission. Arrowhead Pond of Anaheim, Canadian Airlines Saddledome, United Center, Reunion Arena, Joe Louis Arena, Sky Reach Center, National Car Rental Center, Molson Centre, Nashville Arena, Corel Centre, America West Arena, Pittsburgh Civic Arena, San Jose Arena, Kiel Center, Ice Palace Arena, General Motors Place MCI Center, Staples Center. The First Union name and logo are registered service marks of First Union Corporation used with permission. MADISON SQUARE GARDEN and the MADISON SQUARE GARDEN ARENA BUILDING are registered trademarks or trademarks of Madison Square Garden, L.P. NHL Championship® 2000 is a trademark of the National Hockey League. NHL, National Hockey League, the NHL Shield and the Stanley Cup are registered trademark of the National Hockey League. All NHL logos and marks and team logos and marks depicted herein are the property of the NHL and the respective teams and may not be reproduced without the prior written consent of NHL Enterprises, L.P. ©1999 NHL. All Rights Reserved. Officially Licensed product of the National Hockey League. National Hockey League Players' Association, NHLPA and NHLPA Logo are Trademarks of the NHLPA and are used, under license, by Fox Interactive Inc. This product is an Officially Licensed Product of the National Hockey League Players' Association and the National Hockey League. Officially Licensed Product of the National Hockey League Players' Association. All sponsored products and company names, brand names and logos are the property of their respective owner.

PSX **PROOF OF PURCHASE**

NHL Championship™ 2000

0-86162-12729-8



Limited Warranty

Notice: Fox Sports Interactive, Inc. ("Fox") reserves the right to make changes in the product described in the manual at any time and without notice. The enclosed software product and this manual are copyrighted and all rights are reserved by Fox Interactive and/or Twentieth Century Fox Film Corporation. No part of this product manual may be copied, reproduced or translated in any form or medium without the prior written consent of Fox.

Fox warrants to the original purchaser of this software product that the medium on which the computer program is recorded is free from defects in material and workmanship for a period of ninety (90) days from the date of purchase. If a defect covered by this warranty occurs during the 90-day warranty period, simply return the product in its original packing to the retailer from which you purchased it along with dated proof of purchase (such as your receipt) and the product will be repaired or replaced, at Fox's option, at no charge to you (except for the cost of returning the product). Call (410) 568-3630 for additional information and instructions on how to return your product.

THIS WARRANTY IS NOT APPLICABLE TO NORMAL WEAR AND TEAR OF FOR PROBLEMS RELATED TO OPERATING SYSTEM INCOMPATIBILITY. THIS WARRANTY SHALL NOT BE APPLICABLE IF A DEFECT ARISES OUT OF ABUSE, UNREASONABLE USE, MISTREATMENT OR NEGLIGENCE OF THE SOFTWARE PRODUCT. THIS WARRANTY IS IN LIEU OF ALL OTHER WARRANTIES, WHETHER ORAL OR WRITTEN, EXPRESS OR IMPLIED, ANY IMPLIED WARRANTIES OF MERCHANTABILITY AND FITNESS FOR A PARTICULAR PURPOSE ARE HEREBY EXCLUDED. THIS WARRANTY IS LIMITED TO THE 90 DAY PERIOD DESCRIBED ABOVE AND IN NO EVENT WILL FOX BE LIABLE FOR CONSEQUENTIAL OR INCIDENTAL DAMAGES RESULTING FROM THE BREACH OF ANY EXPRESS OR IMPLIED WARRANTIES RELATING TO THE SOFTWARE PRODUCT.

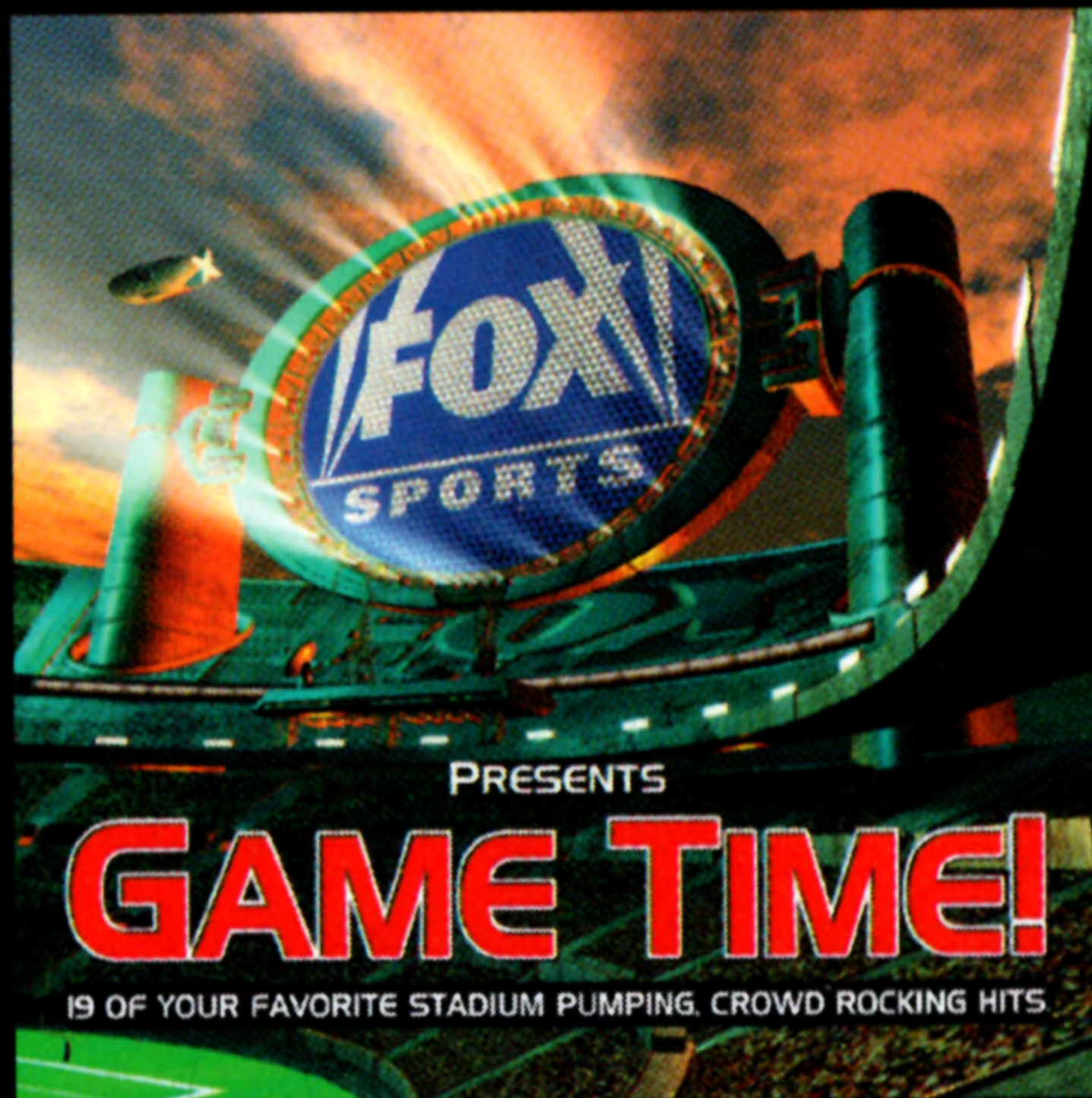
The provisions of this warranty are valid in the United States and Canada only. Some states/provinces do not allow limitations and exclusion may not apply to you. This warranty gives you specific legal rights, and you may vary from location to location. Address all correspondence regarding this Fox software product to:

Fox Sports Interactive, Inc. Warranty Department
10720 Gilroy Road, Suite #2
Hunt Valley, MD 21031

Repairs after expiration of warranty: If your Fox software product develops problems after the 90-day warranty period, you may contact Fox at (410) 568-3630. If the Fox customer service technician is unable to solve the problem by phone, you will be instructed to return your defective software product, freight prepaid, to Fox at the address above, "Attention: Customer Service". Enclose a check or money order for [\$5.00] payable to "Fox Sports Interactive, Inc." Fox will, at its option, subject to the conditions above, repair the software or replace it with a new or repaired software. If replacement software is not available, the defective software will be returned and the [\$5.00] payment refunded.

©1999 Radical Entertainment. Licensed from and developed by Radical Entertainment. All Rights Reserved. Fox Sports Interactive TM & ©1999 Twentieth Century Fox Film Corporation, Inc. All Rights Reserved. "Fox Sports Interactive", "Fox" and "Watch Fox Sports. Play Fox Sports." and their associated logos are the property of Twentieth Century Fox Film Corporation.

FOX SPORTS PRESENTS GAME TIME!



**NEW
MUSIC
CD**

1. "Fox Sports Football Theme (TP2K Mix)" • 2. "It's All About The Benjamins" *Puff Daddy feat. The Notorious B.I.G., Lil' Kim, The Lox, Dave Grohl, Perfect, FuzzBubble, Rob Zombie, and Size 14*
3. "I Am The Bullgod" *Kid Rock* • 4. "We Will Rock You" *Snoop Dogg* • 5. "Song #2" *Blur*
6. "Breathe" *The Prodigy* • 7. "Bow Down (Rock is Dead Mix)" *Westside Connection*
8. "Make Um Say Uhh" *Master P* • 9. (Interlude) *John Madden*
10. "Walkin' On The Sun" *Smash Mouth* • 11. "Fly" *Sugar Ray* • 12. "Bailamos" *Enrique Iglesias*
13. "Superbowl Sundae" (Peanut Butter Wolf Remix feat. Shortcut of the Invisibl Skratch Piklz) *Ozomatli*
14. (Interlude) *Terry Bradshaw* • 15. "In The Zone (Ken Griffey Jr. Theme)" *Ice Cube*
16. "Renegade Master (Fatboy Slim Old Skool Mix)" *Wildchild*
17. "Bodyrock" *Moby* • 18. "Who Dat" *JT Money* • 19. "Stomp To My Beat" *JS-16*
20. "Busy Child" *Crystal Method* • 21. "Ready To Go" *Republica* • 22. "Fox Sports Football Theme"
23. "Keep On Dancin' (Let's Go!) (Fox Sports Highlight Reel)" *Perpetual Motion feat. John Madden, Thom Brennaman, Matt Millen, Tim McCarver, Dick Stockton, Terry Bradshaw, and Joe Buck.*

CD and Cassette available on PRIORITY RECORDS

**PRIORITY
RECORDS**

©1999 Twentieth Century FOX Film Corporation. All Rights Reserved. "FOX," "FOX Sports," "FOX Sports Net," "FOX Sports Interactive," "FOX Interactive," "Twentieth Century FOX" and their associated logos are trademarks and the property of Twentieth Century FOX Film Corporation.

Licensed by Sony Computer Entertainment America for use with the PlayStation game console. PlayStation and the PlayStation logos are registered trademarks of Sony Computer Entertainment Inc. The ratings icon is a trademark of the Interactive Digital Software Association. Manufactured and printed in the U.S.A. THIS SOFTWARE IS COMPATIBLE WITH PLAYSTATION GAME CONSOLES WITH THE NTSC U/C DESIGNATION. U.S. AND FOREIGN PATENTS PENDING.

